

SPECIFICATIONS

Material: HEXSEALS: Silicone rubber conforms to A-A-59588 Class 3, GR 50 unless otherwise specified.

Mounting Nut: HEXSEALS: Brass, nickel-plated (unless otherwise noted)

Temperature Range: HEXSEALS: -94°F to +400°F

Pressure Range: Exceeds 15 psi internal and 1500 psi external.

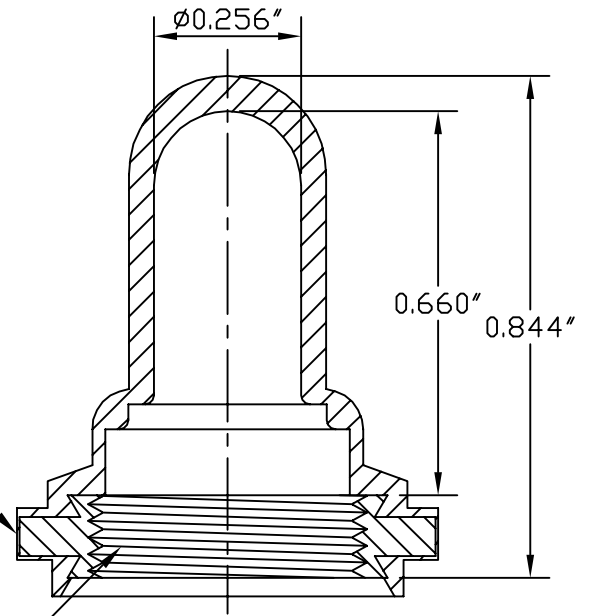
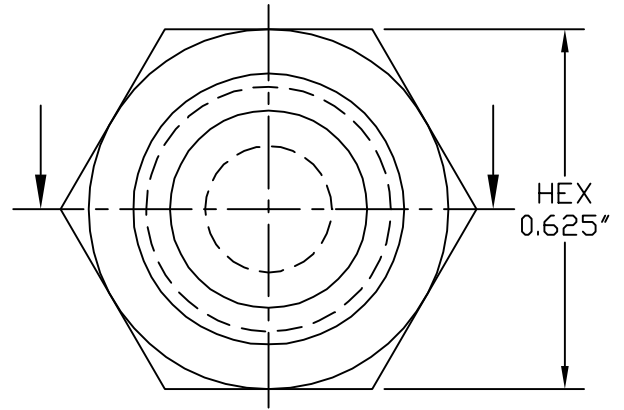
Operational Life: 50,000 actuations (minimum).

Shelf Life: Excess of 25 years.

Resistant to: Salt spray, sunlight, ozone, weather, fungus, and most acids and lubricating oils

Agency Recognition: E-SEELS and HEXSEALS are UL-listed to UL Std. 50 types 1-13, and meet CSA standards.

Installation: If a reducing adaptor is required - see page 14 of HEXSEAL catalog HEX200 for part numbers and drawing.



PERMISSIBLE RUBBER
OVERLAY 0.005 MAX.

15/32-32NS-2B

| | | | |
|------|--------------------------------|-----------------|-----------------------------|
| D | MAT'L CHANGED and REDRAWN | S. GOK | 09.01.09 |
| C | CAD COMPUTER GENERATED | | 09.23.02 |
| B | REDRAWN | | 09.12.74 |
| REV. | DESCRIPTION | | DATE |
| | BOOT, TOGGLE, SWITCH (1131/31) | ENG. M.M. | 12.07.57 |
| | | DWN. J. PALUMBO | 12.07.57 |
| | | CHKD. J. CELLA | 09.01.09 |
| | APM-HEXSEAL CORPORATION | SCALE 3:1 | DWG. NO. (1131/31) HEXSEAL® |

THIS DRAWING COVERS PROPRIETARY ITEM AND IS THE PROPERTY OF THE APM-HEXSEAL CORPORATION.
THIS DRAWING IS NOT TO BE COPIED OR USED WITHOUT THE WRITTEN APPROVAL OF AN OFFICER OF THE APM-HEXSEAL CORPORATION.